

SOUTH SHREWSBURY RIVER

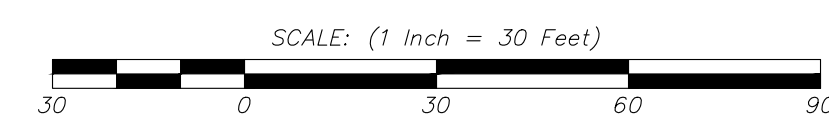


PLANTING LIST (Rev. 1/17/22)

Type	Symbol	Total	Botanical Name	Common Name	Size	Root	Remark	Mature Size
Shade/ Flw Evergreen Trees	AC	2	Amelanchier canadensis	Robin Hill Pink Shadblow	10 - 12'	B & B	2-3 stem	20 - 25'
	ACC	3	Acer Campestre	Hedge Maple	2 1/2 - 3" cal	B & B		20 - 25'
	AP	2	Acer Pseudoplatanus	Esk Sunset Planetree	2 1/2 - 3" cal	B & B		12 - 20'
	CL	17	Crataegus Lavalley	Lavalle Hawthorn	2 1/2 - 3" cal	B & B	Specimens	20 - 25'
	GT	12	Gleditsia Tricanthos	Shademaster Locust	2 1/2 - 3" cal	B & B		40 - 45'
	NS	13	Nyssa Sylvatica	Wildfire Blackgum	2 1/2 - 3" cal	B & B		30 - 40'
	ZS	17	Zelkova serrata	Village Green Zelkova	2 1/2 - 3" cal	B & B		40 - 50'
	IO	4	Ilex Opaca	American Holly	6-8'	B & B		40 - 45'
	PT	11	Prunus Thunbergi	Black Pine	6-8'	B & B		40 - 45'
	Perennial/ Grasses	RFG	20	Rudbeckia Fulgida	Goldstrum. Black eyed susan	1 gallon	Pots	2" oc
NT		154	Nassella Tenusissima	Feather Grass	1 gallon	Pots	2" oc	
LMV		35	Lioripe muscuria variegated	Variogated Lilytuff	1 gallon	Pots	2" oc	
Shrubs	CA	64	Clethra Alnifolia	humingbird Pink Summersweet	18-24"	Pots		24-30"
	CTS	74	Hydrangea Otaksa	Blue Hydrangea	18-24"	Pots		24-30"
	ICC	104	Ilex Glabra compacta	Compact inkberry holly	18-24"	Pots		3-4'
	JC	46	Juniperus Conferta	Shore Juniper	18-24"	Pots		2-4'
	JHHB	22	Juniperus horizon	Bar Harbor Juniper	18-24"	Pots		2-4'
	PM	7	Prunus Maritima	Beach Plum	18-24"	Pots		2-4'
	RC	55	Rhus Copalliana	Aromatic Grow Low Sumac	18-24"	Pots		2-4'
	PL	70	Prunus laurocarassus	Ship Laurel	36 - 42"	Pots		6-8'
	PF	50	Potentilla fruticosa	Katherine Cinquefoil	18-24"	Pots		2-3'
	SW	12	Spirea Anthony Waterer	Anthony waters spirea	18-24"	Pots		2-4'
	TD	13	Taxus densiformis	Japan Yew	18-24"	Pots		2-3'

LEGEND

- GAS VALVE
- WATER VALVE
- WATER WELL
- UTILITY MANHOLE
- DRAINAGE MANHOLE
- ELECTRICAL MANHOLE
- SANITARY MANHOLE
- TELEPHONE MANHOLE
- TRAFFIC SIGN
- TRAFFIC SIGN (2 POST)
- STREET SIGN
- LIGHT POST
- GROUND LIGHT
- UTILITY POLE
- FIRE HYDRANT
- DRAINAGE INLET (TYPE 'A')
- DRAINAGE INLET (TYPE 'B')
- DRAINAGE INLET (TYPE 'E')
- DRAINAGE LINE
- ELECTRIC LINE
- GAS LINE
- SANITARY SEWER LINE
- TELEPHONE LINE
- WATER LINE
- OVERHEAD WIRES
- MONITORING WELL
- IRON/ALUMINUM PIPE FOUND
- IRON BAR FOUND
- CONCRETE MONUMENT FOUND
- SURVEY
- FILE MAP
- GAS METER
- DEPRESSED CURB
- FLUSH CURB



3	5/30/23	REVISED PURSUANT TO NJDEP LETTER DATED 12/5/22	KMB
2	1/31/23	ADDED MISSING LOT 22	JUL
1	7/22/22	REVISED PURSUANT TO BOROUGH COMMENTS	KMB
NO.	DATE	DESCRIPTION	DRAWN BY

PRELIMINARY MAJOR SUBDIVISION & SITE PLAN
 BLOCK 13 LOTS 13-18, 20, 21, 22
 BLOCK 14 LOTS 12, 14
 BLOCK 15 LOTS 5-12
 BOROUGH OF SEA BRIGHT MONMOUTH COUNTY NEW JERSEY

WH ENGINEERING
 CERT. OF AUTH. NO. 24GA28117300
 257 MONMOUTH ROAD,
 BLDG. A, STE. 7
 OAKHURST, NJ 07755
 PHONE: 732-223-1313
 WWW.WJENGINEERING.COM

LANDSCAPING PLAN

WALTER JOSEPH HOPKIN
 PROFESSIONAL ENGINEER, LIC. No. 40673
 09-47-48-04'00"

SCALE: 1" = 30'
 DRAWN BY: JUL
 DATE: 1/17/22
 JOB No.: 19179A
 SHEET No.: 9 OF 13

SOUTH SHREWSBURY RIVER

LIMIT OF DISTURBANCE (typ.)
3.63 Acres

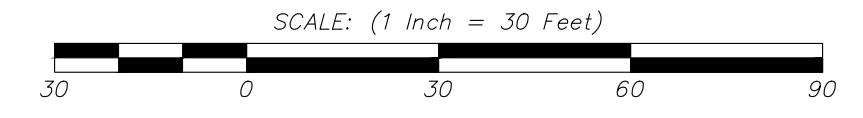
TEMPORARY SOIL STOCKPILE (typ.)

TEMPORARY CONSTRUCTION ENTRANCE TO OPEN SPACE



LEGEND

- GAS VALVE
- WATER VALVE
- WATER WELL
- UTILITY MANHOLE
- ELECTRICAL MANHOLE
- SANITARY MANHOLE
- TELEPHONE MANHOLE
- TRAFFIC SIGN
- TRAFFIC SIGN (2 POST)
- STREET SIGN
- LIGHT POST
- GROUND LIGHT
- UTILITY POLE
- FIRE HYDRANT
- DRAINAGE INLET (TYPE "A")
- DRAINAGE INLET (TYPE "B")
- DRAINAGE INLET (TYPE "E")
- DRAINAGE LINE
- ELECTRIC LINE
- GAS LINE
- SANITARY SEWER LINE
- TELEPHONE LINE
- WATER LINE
- OVERHEAD WIRES
- MONITORING WELL
- IRON/ALUMINUM PIPE FOUND
- IRON BAR FOUND
- CONCRETE MONUMENT FOUND
- SURVEY
- FILE MAP
- GAS METER
- DEPRESSED CURB
- FLUSH CURB



NO.	DATE	DESCRIPTION	DRAWN BY
3	5/30/23	REVISED PURSUANT TO NJDEP LETTER DATED 12/5/22	KMB
2	1/31/23	ADDED MISSING LOT 22	JLL
1	7/22/22	REVISED PURSUANT TO BOROUGH COMMENTS	KMB

PRELIMINARY MAJOR SUBDIVISION & SITE PLAN
 BLOCK 13 LOTS 13-18, 20, 21, 22
 BLOCK 14 LOTS 12, 14
 BLOCK 15 LOTS 5-12
 BOROUGH OF SEA BRIGHT MONMOUTH COUNTY NEW JERSEY

WH ENGINEERING
 CERT. OF AUTH. NO. 24GA28117300
 257 MONMOUTH ROAD,
 BLDG. A, STE. 7,
 OAKHURST, NJ 07795
 PHONE: 732-229-1313
 WWW.WHENGINEERING.COM

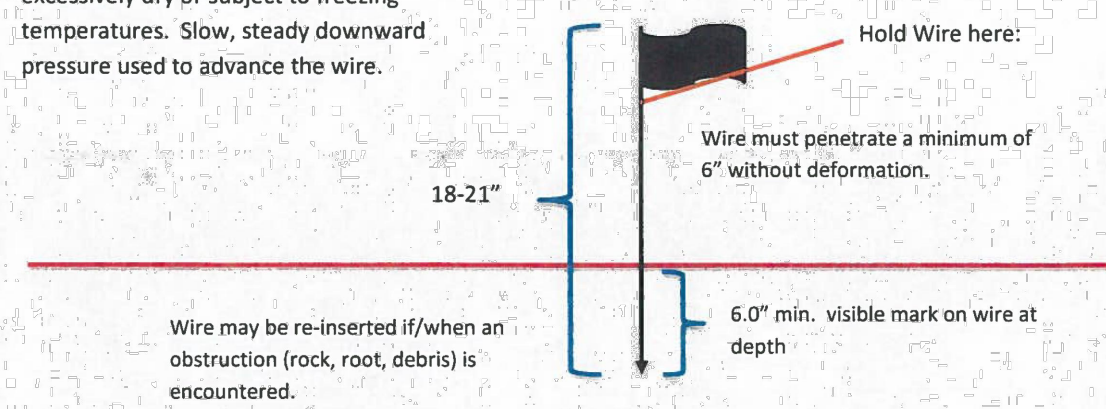
SOIL EROSION & SEDIMENT CONTROL PLAN

 WALTER JOSEPH HOPKIN
 PROFESSIONAL ENGINEER, LIC. No. 40673
 09:50:51-04'00"

SCALE: 1" = 30'	DRAWN BY: JUL	DATE: 1/17/22	JOB No.: 19179	SHEET No.: 10 OF 13
-----------------	---------------	---------------	----------------	---------------------

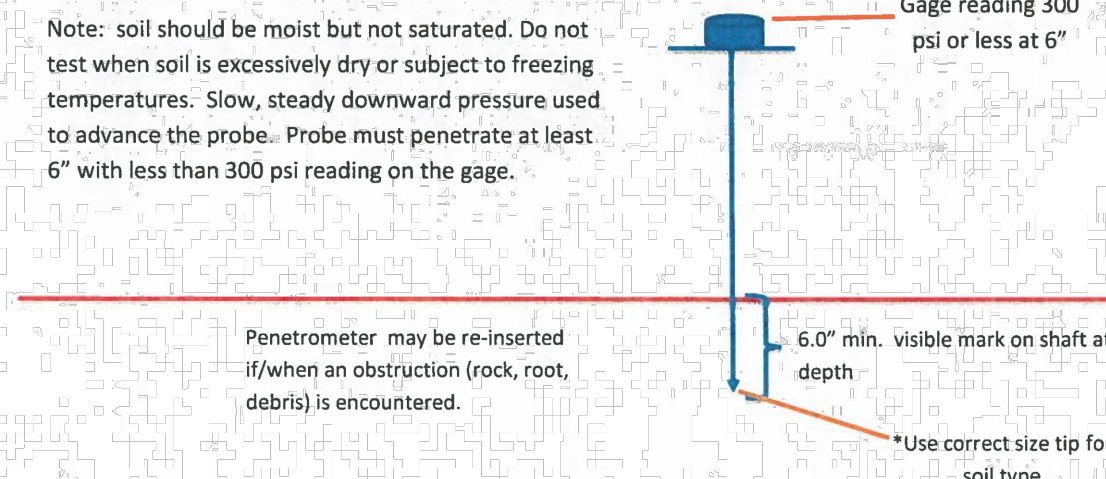
Probing Wire Test- 15.5 ga steel wire (survey flag)

Note: soil should be moist but not saturated. Do not test when soil is excessively dry or subject to freezing temperatures. Slow, steady downward pressure used to advance the wire.



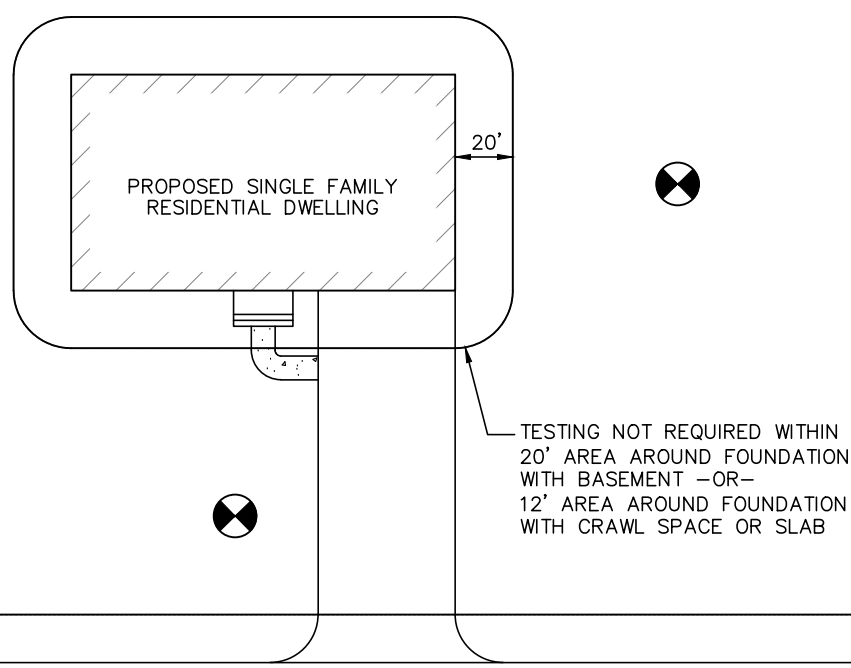
Handheld Soil Penetrometer Test

Note: soil should be moist but not saturated. Do not test when soil is excessively dry or subject to freezing temperatures. Slow, steady downward pressure used to advance the probe. Probe must penetrate at least 6 inches with less than 300 psi reading on the gage.



SIMPLIFIED SOIL COMPACTION TESTING METHODS

RECOMMENDED COMPACTION TEST LOCATION (TYP.)

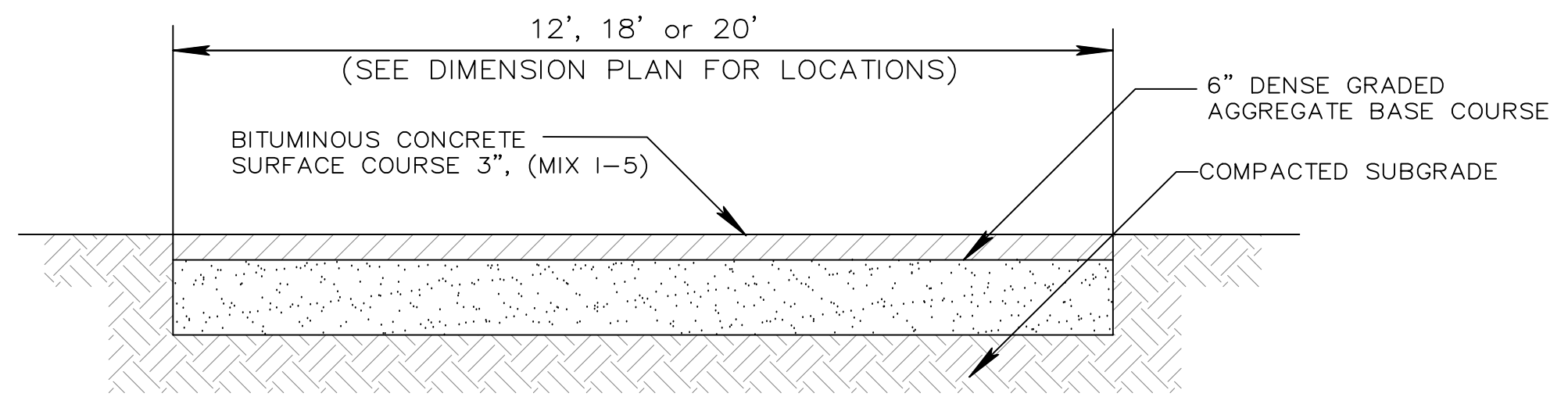


NOTE: SOIL COMPACTION TESTING LOCATIONS IDENTIFIED ARE RECOMMENDED LOCATIONS FOR GRADED/DISTURBED AREAS WITHIN THE VICINITY OF BUILDINGS AND STRUCTURES OR ON INDIVIDUAL LOTS. FOR GRADED/DISTURBED AREAS WITHIN OPEN OR COMMON SPACES, SOIL COMPACTION TESTING SHALL BE PERFORMED AT A RATE OF TWO (2) TESTS PER ACRE OF THE OVERALL LIMIT OF DISTURBANCE.

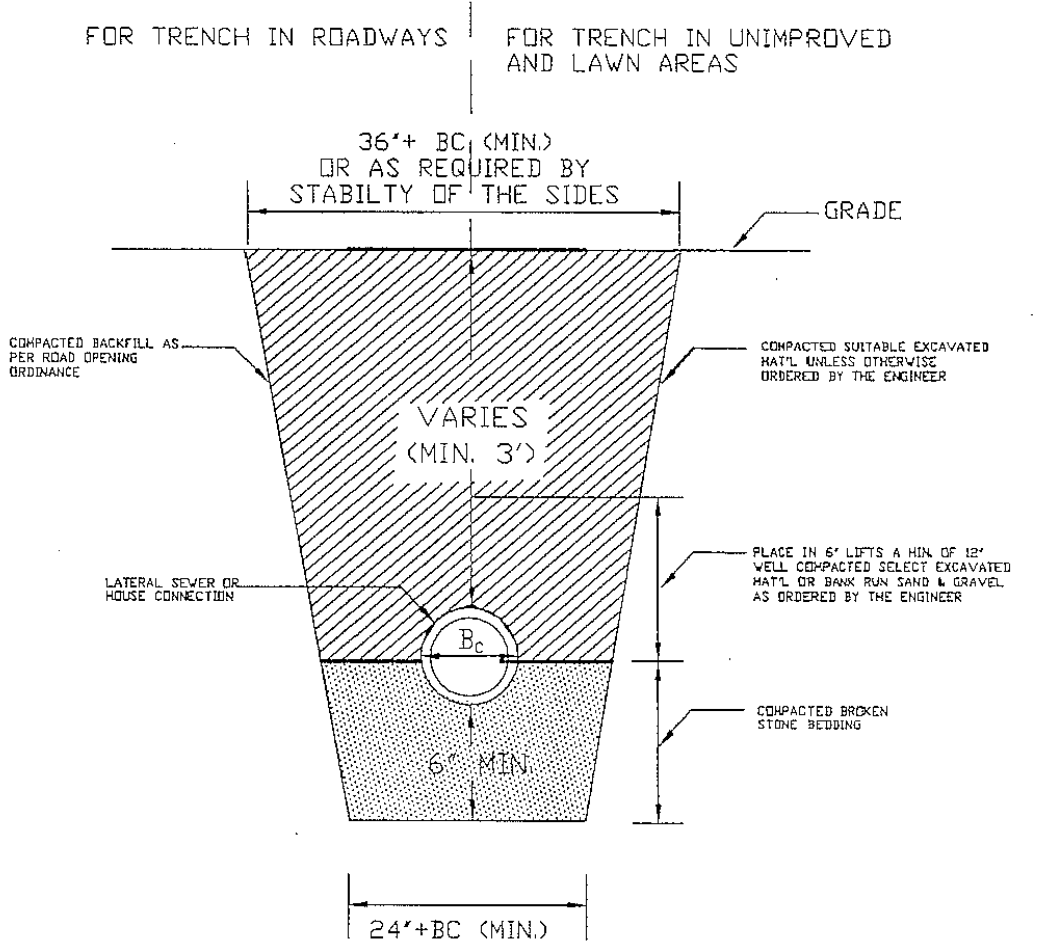
TYPICAL SOIL COMPACTION TESTING LOCATIONS
NOT TO SCALE

SOIL DE-COMPACTION AND TESTING REQUIREMENTS

- SOIL COMPACTION TESTING REQUIREMENTS**
 - SUBGRADE SOILS PRIOR TO THE APPLICATION OF TOPSOIL (SEE TOPSOIL SPECIFICATIONS FOR TOPSOIL REQUIREMENTS) SHALL BE FREE OF EXCESSIVE COMPACTION TO A DEPTH OF 6.0 INCHES TO ENHANCE THE ESTABLISHMENT OF PERMANENT VEGETATIVE COVER.
 - AREAS OF THE SITE WHICH ARE SUBJECT TO COMPACTION TESTING AND/OR COMPACTION MITIGATION ARE GRAPHICALLY DENOTED ON THIS SOIL EROSION AND SEDIMENT CONTROL PLAN.
 - COMPACTION TESTING LOCATIONS ARE DENOTED ON THE PLAN. LOCATION ID'S SHALL BE USED TO COMPLETE THE COMPACTION REMEDIATION FORM AVAILABLE FOR THE LOCAL SOIL CONSERVATION DISTRICT. THIS FORM MUST BE FILLED OUT AND SUBMITTED PRIOR TO THE DISTRICT PERFORMING A REPORT OF COMPLIANCE INSPECTION.
 - IN THE EVENT THAT TESTING INDICATES COMPACTION IN EXCESS OF THE MAXIMUM THRESHOLDS INDICATED FOR THE SIMPLIFIED TESTING METHODS (SEE DETAILS BELOW), THE CONTRACTOR/OWNER SHALL HAVE THE OPTION TO EITHER (1) PERFORM COMPACTION MITIGATION OVER THE ENTIRE DISTURBED AREA DENOTED ON THE PLAN (EXCLUDING EXEMPT AREAS) OR (2) PERFORM ADDITIONAL, MORE DETAILED TESTING TO ESTABLISH THE LIMITS OF EXCESSIVE COMPACTION WHEREUPON ONLY THE EXCESSIVELY COMPACTED AREAS WOULD REQUIRE COMPACTION MITIGATION. ADDITIONAL DETAILED TESTING SHALL BE PERFORMED BY A TRAINED, LICENSED PROFESSIONAL.
- SOIL COMPACTION TESTING METHODS**
 - PROBING WIRE TEST (SEE DETAIL).
 - HAND-HELD PENETROMETER TEST (SEE DETAIL).
 - TUBE BULK DENSITY TEST (LICENSED PROFESSIONAL REQUIRED).
 - NUCLEAR DENSITY TEST (LICENSED PROFESSIONAL REQUIRED).
 - ADDITIONAL TESTING METHODS WHICH CONFORM TO ASTM STANDARDS AND SPECIFICATIONS, AND WHICH PRODUCE A DRY WEIGHT, SOIL BULK DENSITY MEASUREMENT MAY BE ALLOWED SUBJECT TO DISTRICT APPROVAL.
 - DETAILED REQUIREMENTS FOR EACH COMPACTION TESTING METHOD CAN BE FOUND IN SECTION 19 "STANDARD FOR LAND GRADING" OF THE NJ STANDARDS FOR SOIL EROSION AND SEDIMENT CONTROL, LATEST EDITION.
 - SOIL COMPACTION TESTING IS NOT REQUIRED IF WHEN SUBSOIL COMPACTION REMEDIATION (SCARIFICATION/TILLAGE (6" MINIMUM DEPTH) OR SIMILAR) IS PROPOSED AS PART OF THE SEQUENCE OF CONSTRUCTION.
- PROCEDURES FOR SOIL COMPACTION MITIGATION**
 - PROCEDURES SHALL BE USED TO MITIGATE EXCESSIVE SOIL COMPACTION PRIOR TO THE PLACEMENT OF TOPSOIL AND ESTABLISHMENT OF PERMANENT VEGETATIVE COVER.
 - RESTORATION OF COMPACTED SOILS SHALL BE THROUGH DEEP SCARIFICATION/TILLAGE (6" MINIMUM DEPTH) WHERE THERE IS NO DANGER TO UNDERGROUND UTILITIES (CABLES, IRRIGATION SYSTEMS, ETC.) IN THE ALTERNATIVE, ANOTHER METHOD AS SPECIFIED BY A NEW JERSEY LICENSED PROFESSIONAL ENGINEER MAY BE SUBSTITUTED SUBJECT TO DISTRICT APPROVAL.

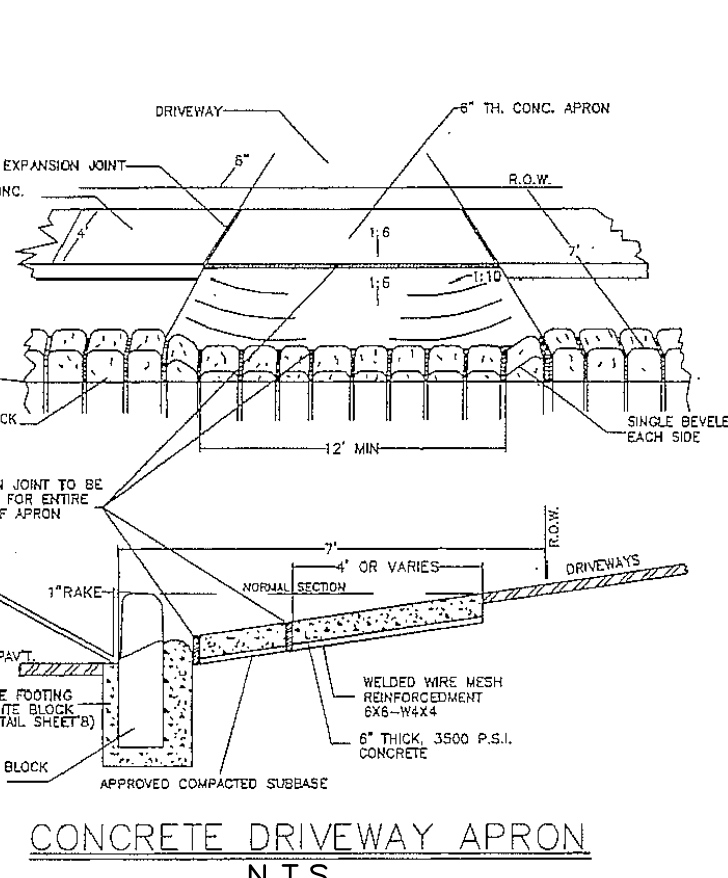


DETAIL: TYPICAL SECTION – TYPICAL DRIVEWAY
NOT TO SCALE

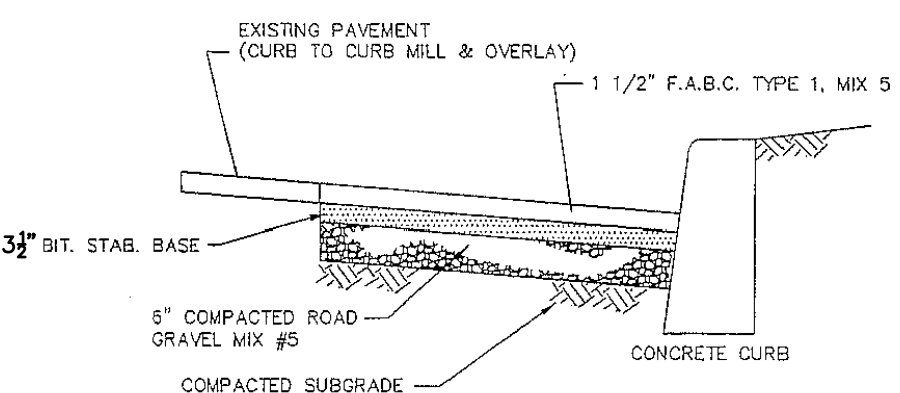


PIPE BEDDING & BACKFILL
N.T.S.

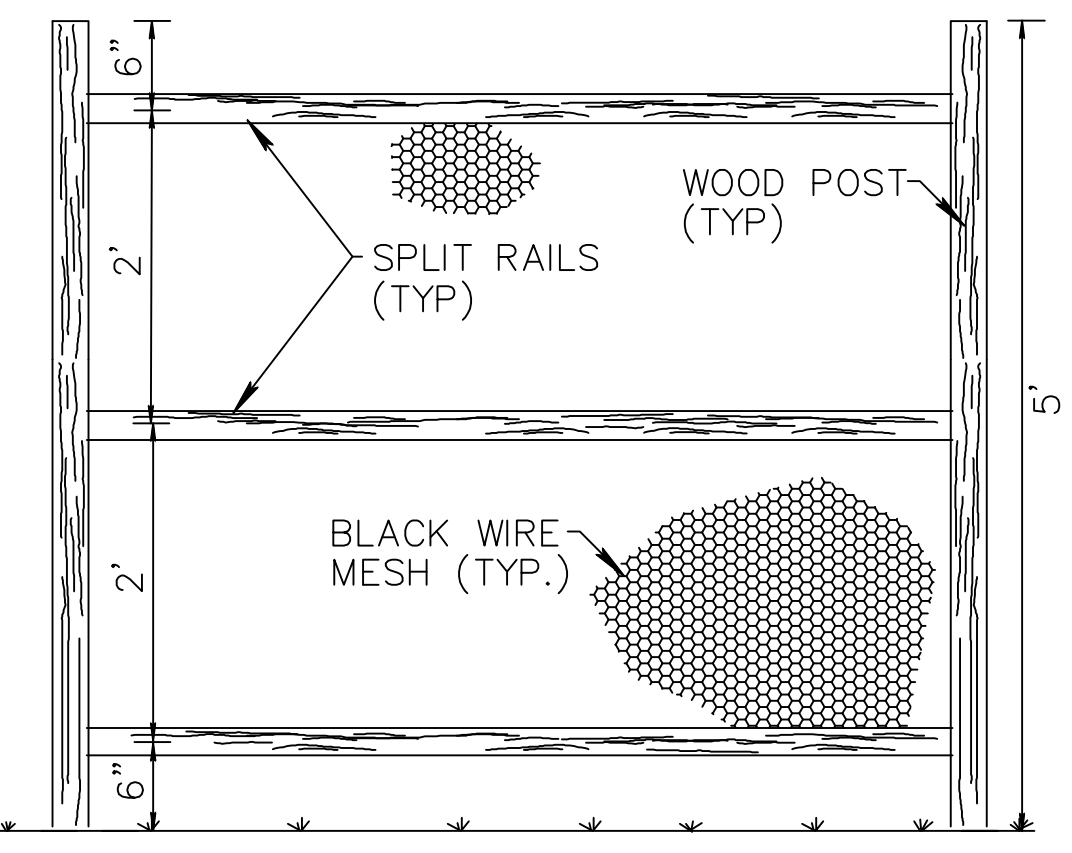
DOG PARK DETAILS
N.T.S.



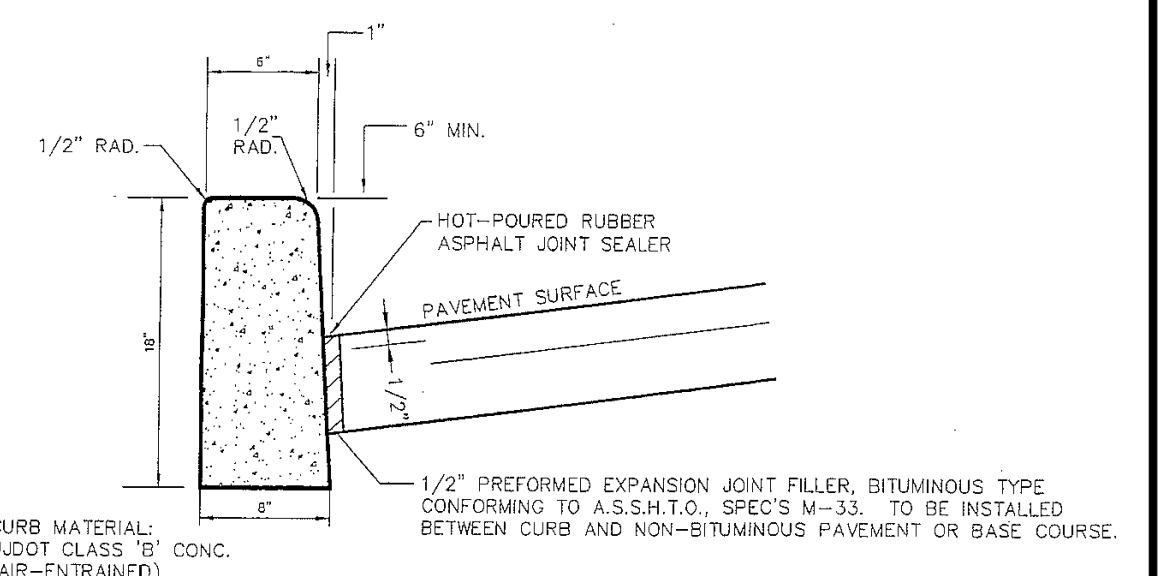
CONCRETE DRIVEWAY APRON
N.T.S.



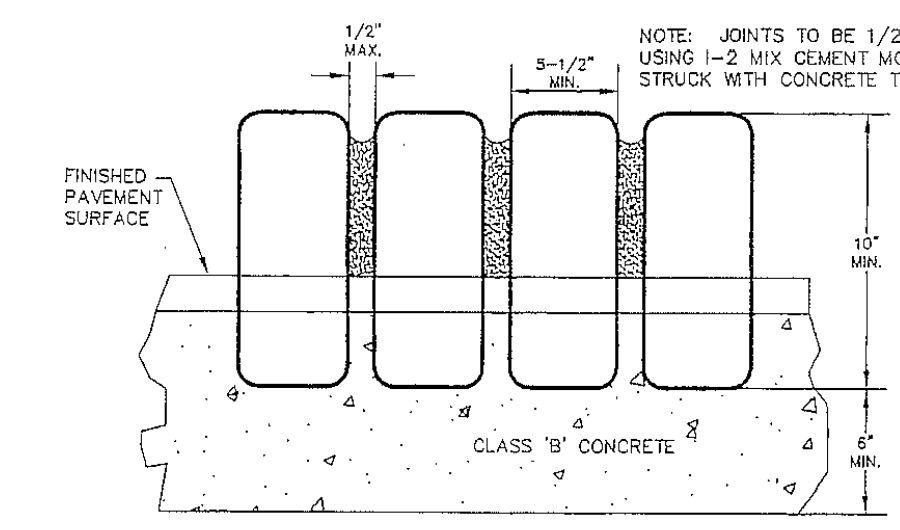
TOWNSHIP TYPICAL PAVEMENT REPAIR SECTION
MICHELE BLVD.
N.T.S.



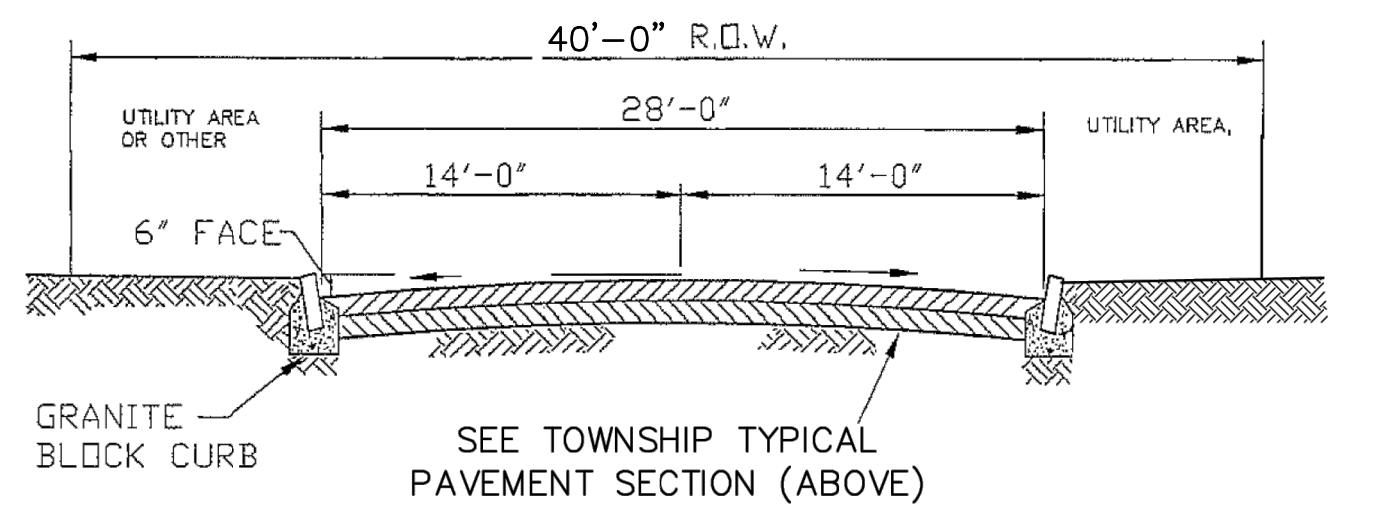
SPLIT RAIL W/BLACK WIRE FENCE DETAIL
NOT TO SCALE



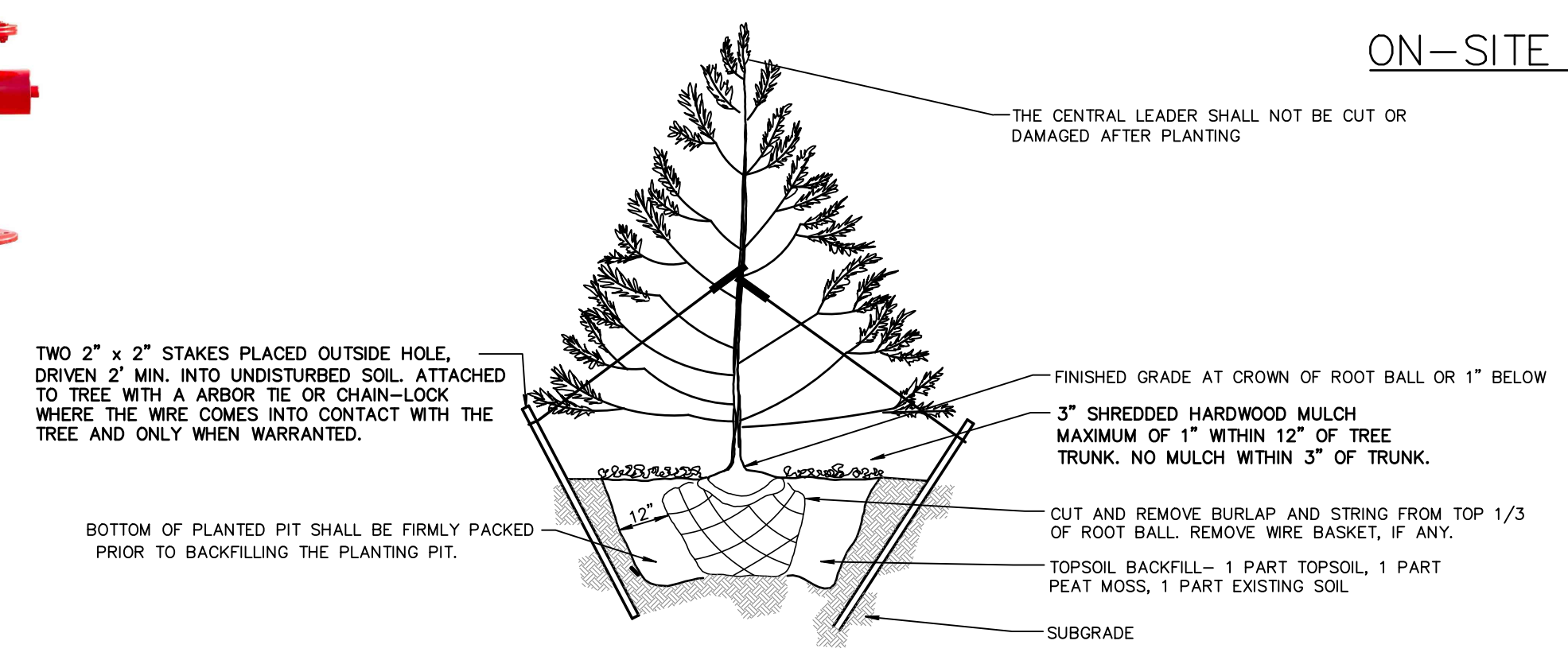
CONCRETE VERTICAL CURB
N.T.S.



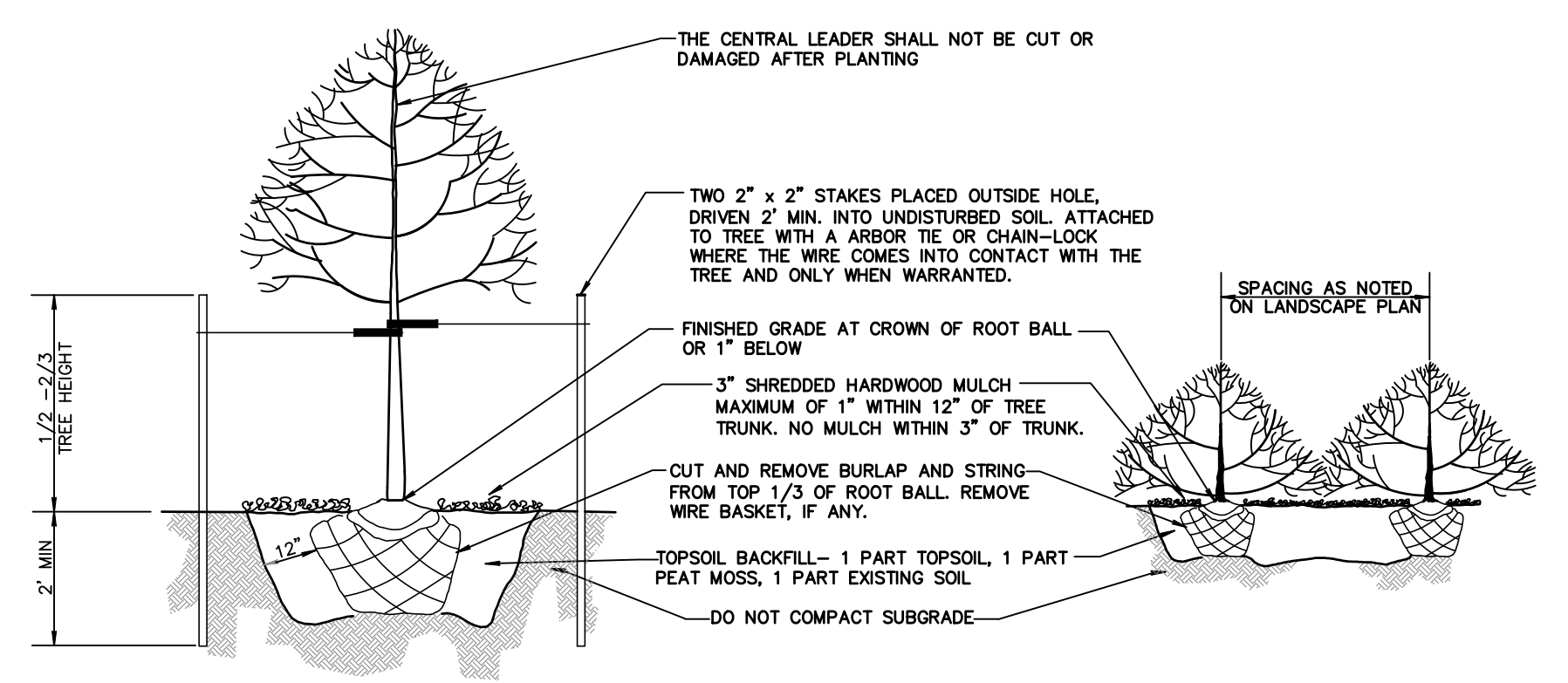
ON-SITE BELGIAN BLOCK CURB & PAVEMENT
N.T.S.



TYPICAL ROADWAY SECTION
N.T.S.



EVERGREEN TREE PLANTING & STAKING DETAIL
N.T.S.



TREE & SHRUB PLANTING & STAKING DETAIL
N.T.S.

NO.	DATE	DESCRIPTION	DRAWN BY
3	5/30/23	REVISED PURSUANT TO NJDEP LETTER DATED 12/5/22	KMB
2	1/31/23	ADDED MISSING LOT 22	JUL
1	7/22/22	REVISED PURSUANT TO BOROUGH COMMENTS	KMB

PRELIMINARY MAJOR SUBDIVISION & SITE PLAN
BLOCK 13 LOTS 13-18, 20, 21, 22
BLOCK 14 LOTS 12, 14
BLOCK 15 LOTS 5-12
BOROUGH OF SEA BRIGHT MONMOUTH COUNTY NEW JERSEY

WH ENGINEERING
CERT. OF ALTH. NO. 24GA28117300
257 MONMOUTH ROAD,
BLDG. A, SUITE 7,
OAKHURST, NJ 07755
PHONE: 732.223.1313
WWW.WHENGINEERING.COM

CONSTRUCTION/SESC DETAILS
WALTER JOSEPH HOPKIN
REGISTERED PROFESSIONAL ENGINEER
09:51:10-04'00"

SCALE:	DRAWN BY:	DATE:	JOB No.:	SHEET No.:
1" = 30'	JUL	1/17/22	19179A	12 OF 13

W:\Projects\19179A\19179A - Issues at Sea Bright\19179A - Details\DWG Details.dwg 6/2/2023 4:31:01 PM